

# ACCUJECT™ DUAL

INJECTION SYSTEM

The 2-in-1 injector without compromise



Medicel AG

Dornierstrasse 11

CH-9423 Altenrhein

SWITZERLAND

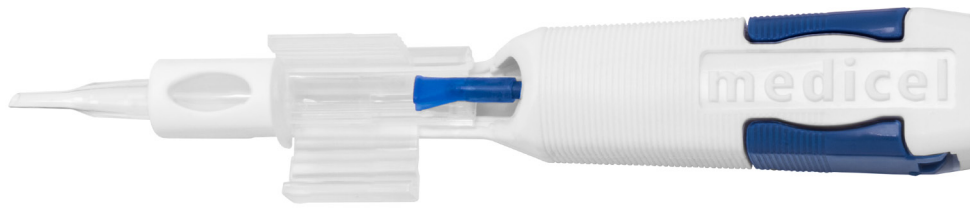
Tel. +41 71 727 10 50

Fax +41 71 727 10 55

[info@medicel.com](mailto:info@medicel.com)

[www.medicel.com](http://www.medicel.com)

**medicel**  
SWISS TECHNOLOGY FOR SURGERY



# ACCUJECT™ DUAL

The new ACCUJECT™ DUAL injector enables surgeons to operate in either push or screw mode, allowing for more flexibility.

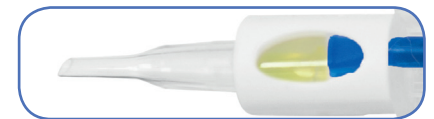
Existing dual-mode injectors on the market compromise in terms of usability. Surgeons who use dual-mode injectors with a finger flange for the push mode often find it impacts usability when operating the injector in screw mode. The non-used mode cannot be deactivated in many dual injectors, therefore they are always 50% push and 50% screw.

However, the latest ACCUJECT™ DUAL injector is able to switch from either 100% push to 100% screw at any time during the IOL-injection procedure. Its movable finger flanges entirely eliminate usability issues and makes the ACCUJECT™ DUAL the most ergonomic dual injector available.

Additionally, its ergonomic design is supported by a unique structured surface which ensures that the ACCUJECT™ DUAL won't become slippery even when operating with wet gloves.

The window in the tip of the injector enables the surgeon to have complete visual control of the IOL's travel and secures a clear identification of the hand-over position from the nurse to the surgeon.

The newest ACCUJECT addition is compatible with all previous ACCUJECT™ preloaded and non-preloaded systems allowing users of the current ACCUJECT™ injector to immediately switch to the new injector.

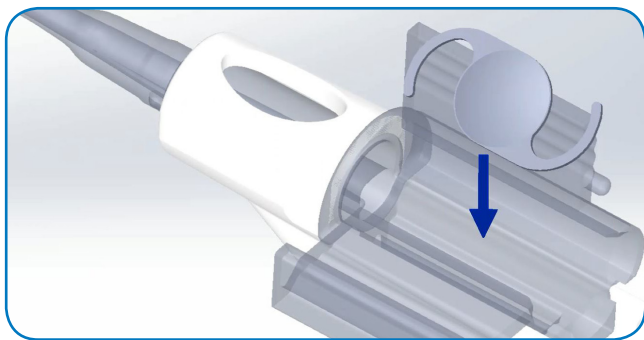


- ✓ ACCUJECT™ tip 1.6 - 3.0
- ✓ ACCUJECT™ coating
- ✓ Compatible with existing ACCUJECT™ PRO systems
- ✓ For hydrophobic and hydrophilic lenses



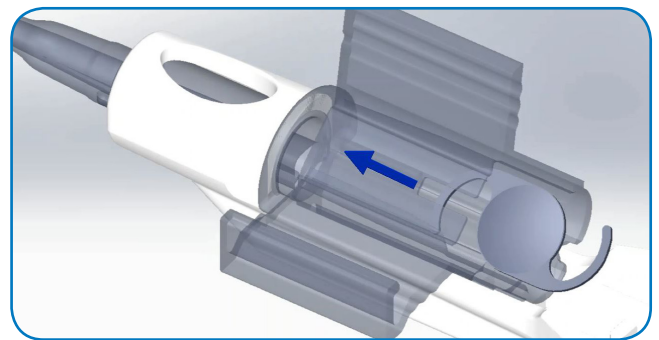


### Top-loaded version



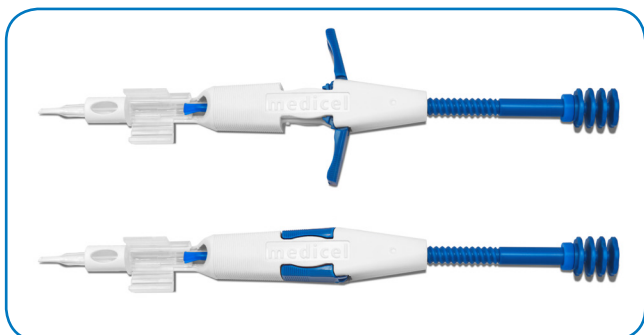
- Applicable for hydrophilic and hydrophobic lenses
- Large loading chamber
- Unrestricted access for IOL loading
- No force required for loading IOL
- For 1-piece lenses
- Incision sizes 3.2mm to 1.6mm

### Back-loaded version



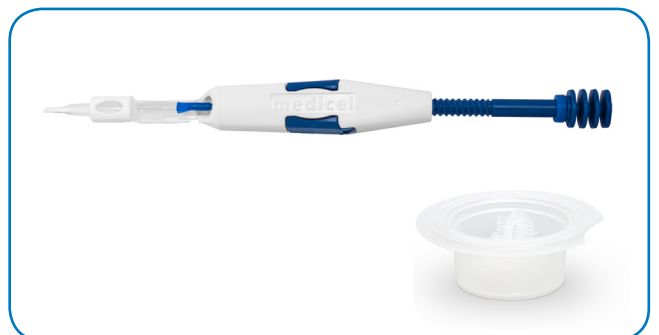
- Applicable for hydrophobic and some hydrophilic lenses
- Smart haptic folding for c-loop IOLs
- With proven soft-tip technique
- For 1-piece lenses
- Incision sizes 3.2mm to 1.8mm

### ACCUJECT™ DUAL PRO for hydrophobic lenses



- For preloading hydrophobic (dry-stored) lenses
- Smart haptic folding for c-loop IOLs
- Incision sizes from 3.2mm to 1.8mm

### ACCUJECT™ DUAL PRO for hydrophilic lenses



- IOLs preloaded within the loading chamber
- Only loading chamber with IOL stored in liquid
- Small investment for IOL manufacturer
- Incision sizes from 3.2mm to 1.6mm

**ACCUJECT™ DUAL - top-loaded**

ITEM CODE	PRODUCT NAME	INCISION SIZE (mm)			IOL TYPE
		wound-assisted	into-the-wound	into-the-bag	
ADT3000	ACCUJECT™ <b>DUAL</b> 3.0-TL Injector Set	2.4	2.7-2.8	3.1	1-piece lens
ADT2600	ACCUJECT™ <b>DUAL</b> 2.6-TL Injector Set	2.2	2.5	2.8	1-piece lens
ADT2400	ACCUJECT™ <b>DUAL</b> 2.4-TL Injector Set	2.1	2.4	2.7	1-piece lens
ADT2200	ACCUJECT™ <b>DUAL</b> 2.2-TL Injector Set	1.9 - 2.0	2.2	2.5	1-piece lens
ADT2100	ACCUJECT™ <b>DUAL</b> 2.1-TL Injector Set	1.9	2.1-2.2	2.4	1-piece lens
ADT2000	ACCUJECT™ <b>DUAL</b> 2.0-TL Injector Set	1.8 - 1.9	2.1	2.3 - 2.4	1-piece lens
ADT1800	ACCUJECT™ <b>DUAL</b> 1.8-TL Injector Set	1.8	2.0	2.2 - 2.3	1-piece lens (hydrophilic only)
ADT1600	ACCUJECT™ <b>DUAL</b> 1.6-TL Injector Set	1.6	1.8	2.0	1-piece lens (hydrophilic only)

**ACCUJECT™ DUAL - back-loaded**

ITEM CODE	PRODUCT NAME	INCISION SIZE (mm)			IOL TYPE
		wound-assisted	into-the-wound	into-the-bag	
ADB3000	ACCUJECT™ <b>DUAL</b> 3.0-BL Injector Set	2.4	2.7-2.8	3.1	1-piece lens
ADB2600	ACCUJECT™ <b>DUAL</b> 2.6-BL Injector Set	2.2	2.5	2.8	1-piece lens
ADB2400	ACCUJECT™ <b>DUAL</b> 2.4-BL Injector Set	2.1	2.4	2.7	1-piece lens
ADB2200	ACCUJECT™ <b>DUAL</b> 2.2-BL Injector Set	1.9 - 2.0	2.2	2.5	1-piece lens
ADB2100	ACCUJECT™ <b>DUAL</b> 2.1-BL Injector Set	1.9	2.1-2.2	2.4	1-piece lens
ADB2000	ACCUJECT™ <b>DUAL</b> 2.0-BL Injector Set	1.8 - 1.9	2.1	2.3 - 2.4	1-piece lens
ADB1800	ACCUJECT™ <b>DUAL</b> 1.8-BL Injector Set	1.8	2.0	2.2 - 2.3	1-piece lens (hydrophilic only)

**ACCUJECT™ DUAL - preloaded**

For lens manufacturers only.

For more information please visit our website [www.medicel.com](http://www.medicel.com) or email [info@medicel.com](mailto:info@medicel.com)